



Asynchronous DB2 Image Copies

DB2 MasterCopySet® for z/OS

Together with MasterReorg and MasterCopy, **MasterCopySet** is part of the MASTER-UTIL line, an automated software suite ensuring reorganizations, restores and backups.

? The Problem

- ◆ In case of a software or hardware problem, the data downtime must be limited to a minimum
- ◆ It is becoming increasingly difficult to create consistent backups ready to be reloaded in case of a problem, because of the number and volume of the objects concerned
- ◆ It is equally difficult to create consistent backups ready to be transferred to other application systems
- ◆ These essential administrative processes run in a smaller and smaller utility batch window.

! The MasterCopySet solution

MasterCopySet is a unique solution that:

- ◆ Asynchronously creates share level reference Full Image Copies (FIC)
- ◆ Synchronizes the object copies to a specific point for the application.

MasterCopySet recreates a FIC for the QUIESCE simply from:

- ◆ The last available FIC
- ◆ Any IICs (Incremental Image Copies)
- ◆ Log data
- ◆ The data remains available for all the applications during execution of **MasterCopySet**.



The advantages of MasterCopySet

- ◆ It generates Full Image Copies asynchronously without interfering with DB2 operation
- ◆ It decreases recovery time by limiting the number of images copies to be taken into account
- ◆ It decreases recovery time by limiting the quantity of log files to be taken into account
- ◆ It generates share level REFERENCE Full Image copies registered to DB2
- ◆ It automatically manages the number of tape drives required for execution
- ◆ It processes several objects simultaneously
- ◆ It is downwardly compatible with standard DB2 utilities.

We are prepared to demonstrate to you the excellent return on investment you will achieve with MasterCopySet.



**Our software products are distributed world-wide.
Our technical support is there to serve you 24/7.**

DB2
Administration

Operational
Integrity

Performance of
DB2 Applications

Data Compression

A Consistent Set of Image Copies for the Lowest Cost

A QUIESCE is sufficient.

Thereafter, **MasterCopySet** works with:

- ◆ An available FIC
- ◆ Any IICs on the FIC
- ◆ Log data.

MasterCopySet recreates an FIC asynchronously for the QUIESCE.

MasterCopySet generates all these FICs for all the objects synchronized at a given time.

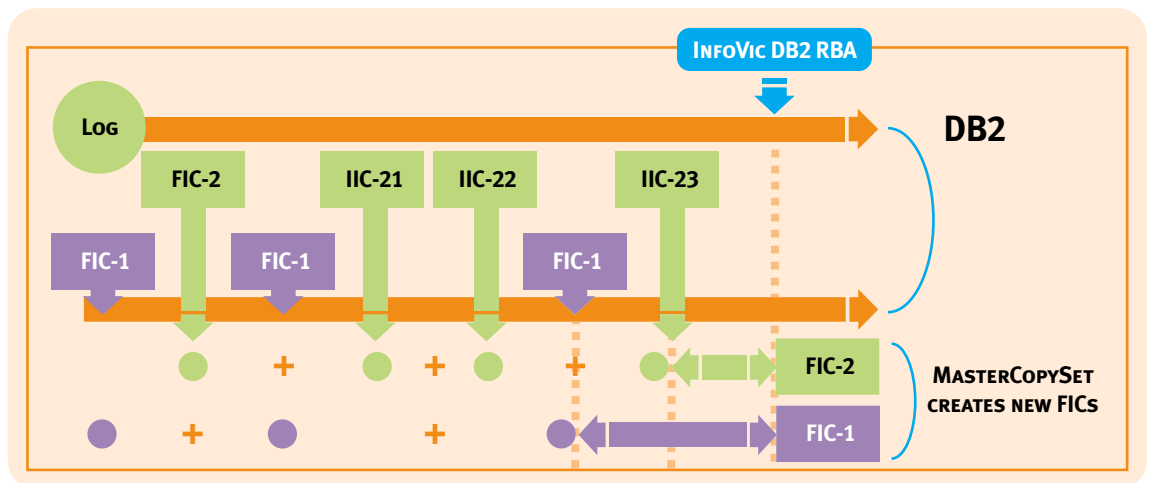
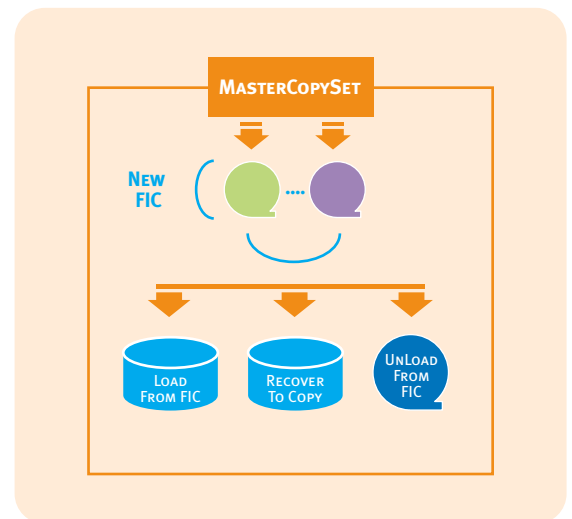
MasterCopySet generates true share level reference Full Image Copies asynchronously with respect to the active processes (see diagram below).

Essential for Recovery, Import, and Export.

MasterCopySet is a tool for implementing the company's DB2 database management strategy:

- ◆ Reload of another DB2 using the Load from FIC option of InfoLoad
- ◆ Recovery at the synchronization point by DB2 InfoVic using the Recover option or the standard IBM tool
- ◆ Supply of a sequential file in user format using InfoUnload.

MasterCopySet reduces the number of IICs required for operation.



All the products mentioned are registered trademarks. Infotel reserves the right to modify the functions of its software at any time without prior notice. This data sheet cannot be considered contractually binding.



Infotel

THE WEB-TO-DATABASE COMPANY

Technical excellence for optimizing your information system.

Infotel France - Tour Gallieni II - 36, avenue du Général de Gaulle - 93175 Bagnole Cedex

Phone: +33 (0)1 48 97 38 38, Fax: +33 (0)1 48 97 49 00

USA Sales: +1 727 343 5958, UK Sales: +44 (0)1 937 584 200, Germany Sales: +49 (0) 2841 50 90 86

Corporate Sales: logiciels@infotel.com

www.infotel.com